

Vesimentor
PLASTIC PRODUCTS

EPZN20140304

PRODUCT CATALOGUE



www.vesimentor.ee
www.komutacija.com

CONTENTS

3	INTRODUCTION
4	CABLE MANHOLE KKS Class A
5	CABLE MANHOLE KKS Class B
6	CABLE MANHOLE KKS3 with raised flange
7	CABLE MANHOLE KKS2 Class A
8	CABLE MANHOLE KKS2 Class B
9	CABLE MANHOLE KKS2 with raised flange
10	CABLE MANHOLE KKS1
11	CABLE MANHOLE KKS1 with 1 interfaces for foc coupling
12	CABLE MANHOLE KKS1 with 2 interfaces for foc coupling
13	+/- TABLE
14	COMMUNICATION MANHOLE COVER D400
15	COMMUNICATION MANHOLE COVER B125
16	PLASTIC MANHOLE COVERS 200 KG for green areas
17	PLASTIC MANHOLE COVERS 600 KG for green areas
18	PLASTIC MANHOLE COVERS 1500 KG for green areas
19	OPTICS ACCESS CHAMBER
20	OPTICS ACCESS CHAMBER with raised flange
21	OPTICS ACCESS CHAMBER with 1 interfaces for foc coupling
22	OPTICS ACCESS CHAMBER with 2 interfaces for foc coupling
23	OPTICS ACCESS CHAMBER 1000 mm
24	OPTICS ACCESS CHAMBER 1000 mm, with 1 interfaces for foc coupling
25	OPTICS ACCESS CHAMBER 1000 mm, with 2 interfaces for foc coupling
26	VERTICAL OPTIC WELL
27	MAGNETIC COVER LIFTER
28	INSTALLATION PHOTOS
29	INSTALLATION GUIDE FOR OLYETHYLENE CABLE MANHOLE KKS
30	ACCESSORIES
31	OTHER PRODUCTS

INTRODUCTION

OÜ Vesimentor began its activity constructing water and sewage piping on 17 April, 1997. In 2002, the company specialised in manufacturing polyethylene (PE) plastic manholes.

In January 2010, the ownership changed, after which the company actively began focusing on product development.

Vesimentor OÜ is currently successfully manufacturing innovative high quality polyethylene products.

The product range of Vesimentor OÜ includes 45 different products – rotation moulded (communication) cable manholes, optics access chambers, cable marker posts and crafted pump rooms, sewage-, drainage-, and rainwater chambers, tanks with different dimensions, water meter manholes, fire hydrant chambers, oil separators, etc. The company also sells high quality cast iron and plastic manhole covers. We offer our customers full solutions and completeness.

With private customers in mind, Vesimentor OÜ has created the following polyethylene products – floating platforms, pontoons, cellars, (waste water) septic tanks, swimming pools, sledges, stork nests, feeding racks, snow shovels, big game sledges/ATV-sledges, etc.

Our main value is customer satisfaction through flexibility and personal approach to customers' needs.

Vesimentor OÜ a member of the Estonian Defence Industry Union and member of the Estonian Chamber of Commerce and Industry and the Estonian Plastics Association and owns quality management system ISO 9001:2008, environmental management system ISO 14001:2004, and NATO quality assurance requirements AQAP 2110 certificates.

The company is based 100% on Estonian capital.

Additional information about our activities is available on our webpage www.vesimentor.ee

CABLE MANHOLE KKS CLASS A

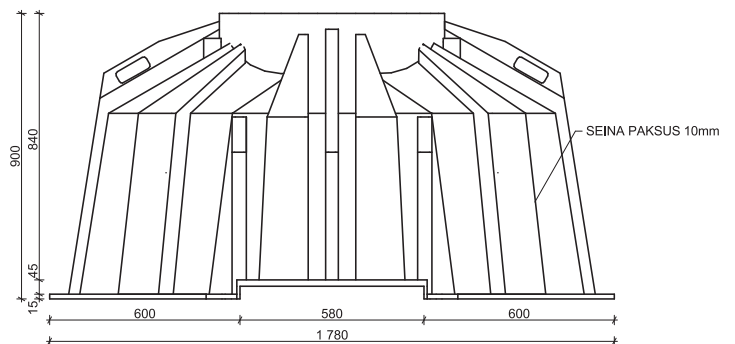
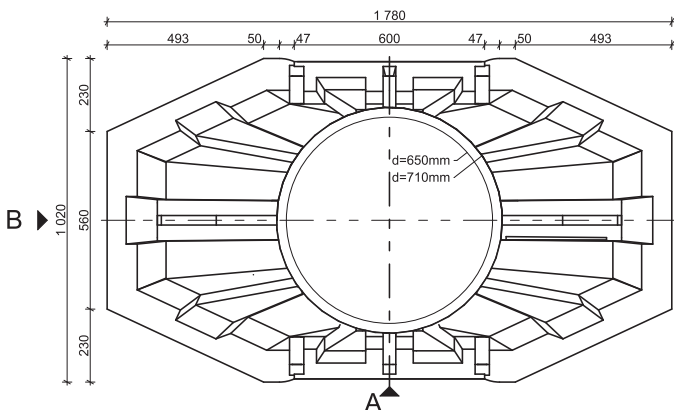
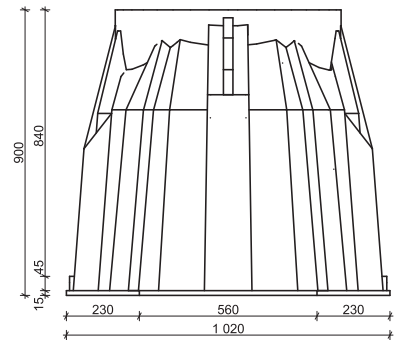


KKS3, the modern connection manhole for communications routes is an innovative replacement product for outdated concrete manholes.

Cable manhole KKS3 is designed for use at high loads and is suitable for installation under the roadway. KKS3 (class A) meets technical requirements and have certification of class D400.

The KKS3 (class A) half-size manhole is:

- made of:** polyethylene (PE) using rotational moulding technology
- areas of use:** cable and communications manholes, ground source heat manholes
- weight:** 60 kg + accessories
- accessories:** plastic and cast iron covers (road D400), penetration sleeves
- useful information:** for **100 mm penetration sleeve use 108 mm milling cutter**
for **50 mm penetration sleeve use 68 mm milling cutter**



In addition see:

- technical drawing
- certificates

CABLE MANHOLE KKS3 CLASS B

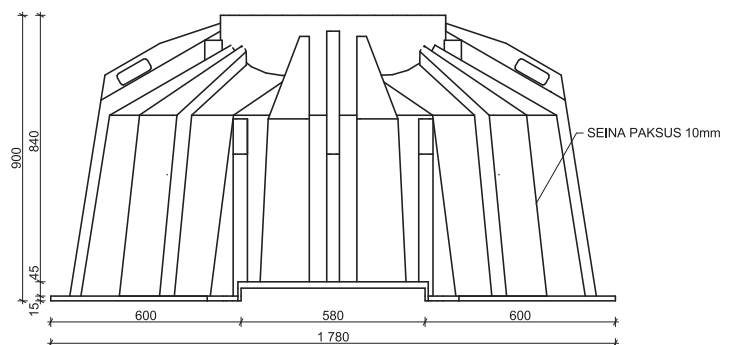
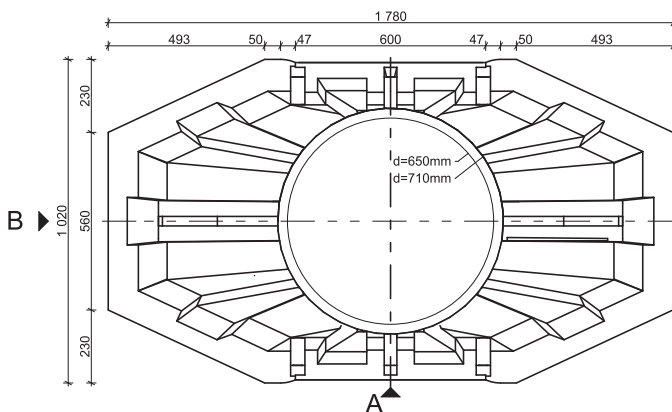
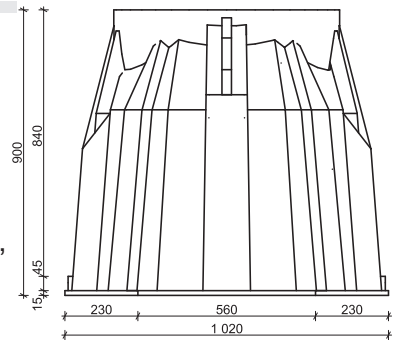


KKS3, the modern connection manhole for communications routes is an innovative replacement product for outdated concrete manholes.

Cable manhole KKS3 (Class B) is intended for use only in green areas, because it can carry load up to 3t.

■ The KKS3 (class B) half-size manhole is:

- made of:** polyethylene (PE) using rotational moulding technology
- areas of use:** cable and communications manholes, ground source heat manholes
- weight:** 40 kg + accessories
- accessories:** plastic and cast iron covers (green area B125), penetration sleeves
- useful information:** *for 100 mm penetration sleeve use 108 mm milling cutter*
for 50 mm penetration sleeve use 68 mm milling cutter



■ In addition see:

- technical drawing
- certificates

CABLE MANHOLE KKS3 WITH RAISED FLANGE

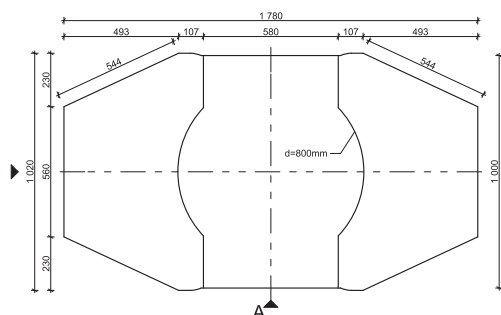
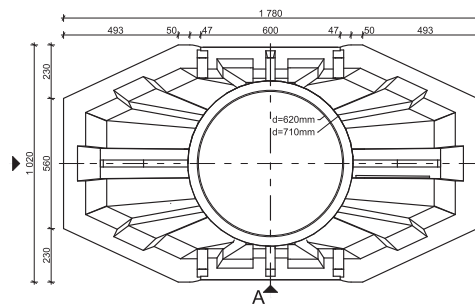
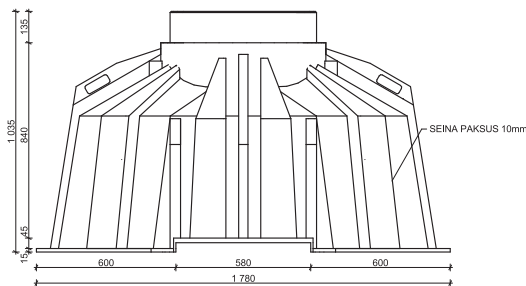
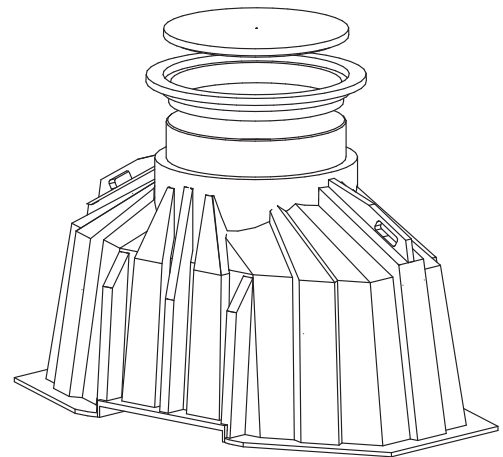


KKS3 is the modern connection manhole for communications routes is an innovative replacement product for outdated concrete manholes.

Cable manhole KKS3 with raised flange, is intended for use only in green areas, because it can carry load up to 3t.

■ The KKS3 with raised flange is:

- made of:** polyethylene (PE) using rotational moulding technology
- areas of use:** cable and communications manholes, ground source heat manholes
- weight:** 40 kg + accessories
- accessories:** plastic manhole cover (200 kg, 600 kg, 1500 kg)
- useful information:** *for 100 mm penetration sleeve use 108 mm milling cutter*
for 50 mm penetration sleeve use 68 mm milling cutter



■ In addition see:

- technical drawing
- certificates

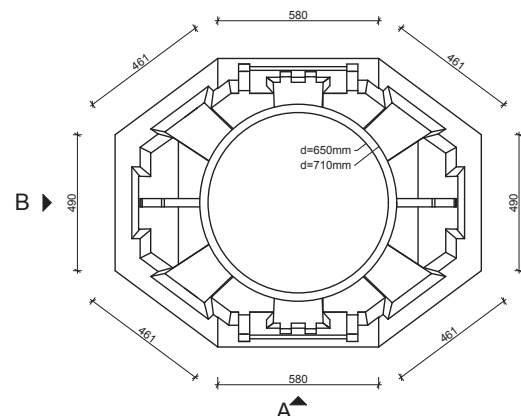
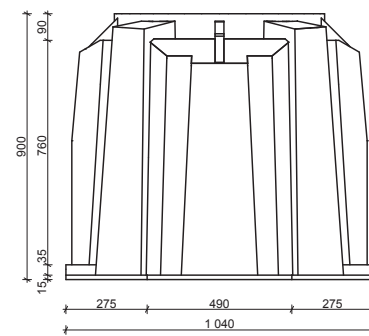
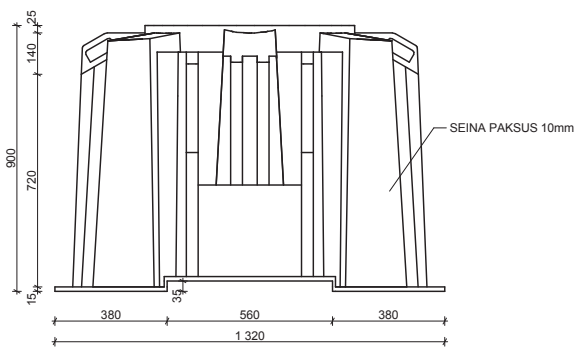
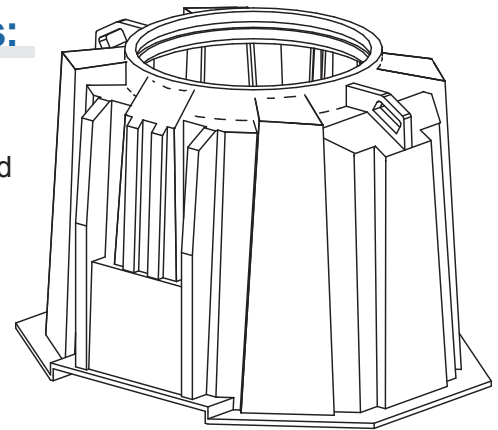
CABLE MANHOLE KKS2 CLASS A



KKS2 (Class A), the modern connection manhole for communications routes is an innovative replacement product for outdated concrete manholes. Cable manhole KKS2 (Class A) is designed for use at high loads and is suitable for installation under the roadway. KKS2 (Class A) meets technical requirements and has certification of class D400.

■ The KKS2 (Class A) half-size manhole is:

- made of:** polyethylene (PE) using rotational moulding technology
- areas of use:** cable and communications manholes, ground source heat manholes
- weight:** 40 kg + accessories
- accessories:** telescope pipe, cast iron covers (road D400)
- useful information:** for **100 mm** penetration sleeve use **108 mm** milling cutter
for **50 mm** penetration sleeve use **68 mm** milling cutter



■ In addition see:

- technical drawing
- certificates

CABLE MANHOLE KKS2 (CLASS B)

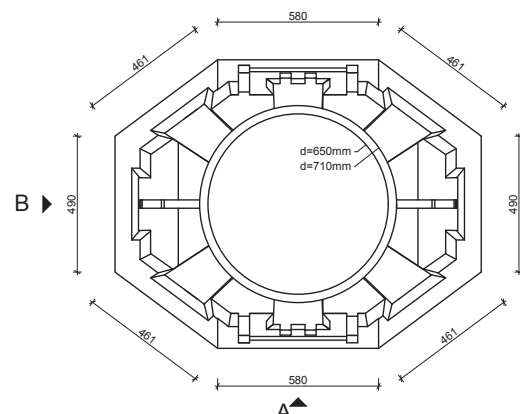
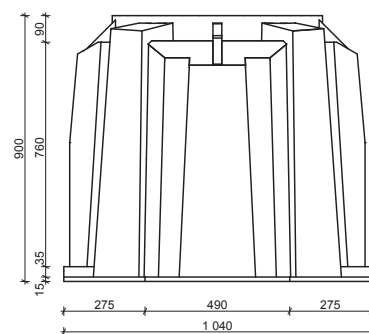
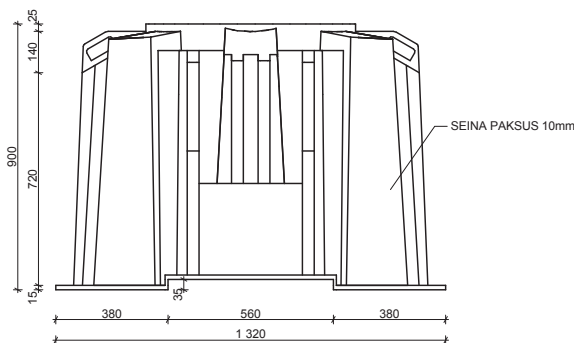
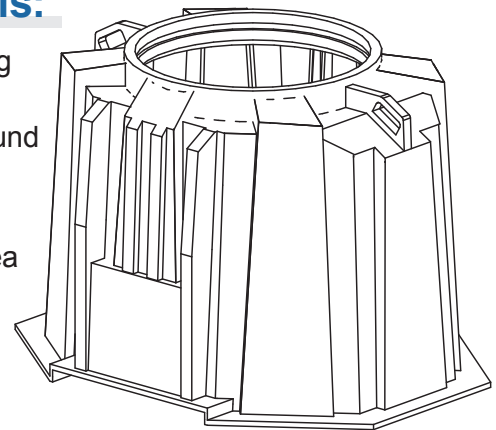


KKS2 (Class B), the modern connection manhole for communications routes is an innovative replacement product for outdated concrete manholes.

Cable manhole KKS2 (Class B) is intended for use only in green areas, because it can carry load up to 3t.

■ The KKS2 (Class B) half-size manhole is:

- made of:** polyethylene (PE) using rotational moulding technology
- areas of use:** cable and communications manholes, ground source heat manholes
- weight:** 30 kg + accessories
- accessories:** telescope pipe, cast iron covers (green area B125)
- useful information:** for 100 mm penetration sleeve use 108 mm milling cutter
for 50 mm penetration sleeve use 68 mm milling cutter



■ In addition see:

- technical drawing
- certificates

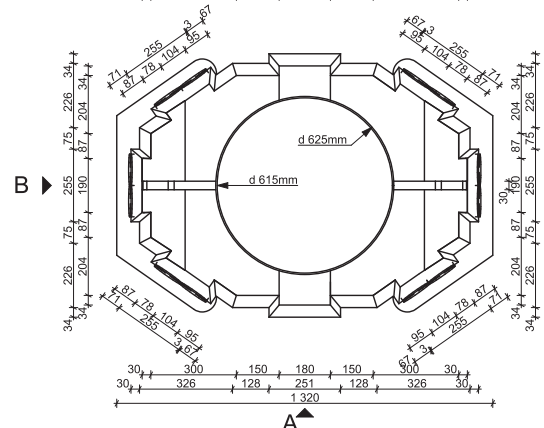
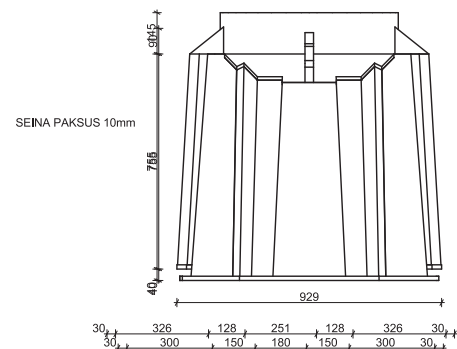
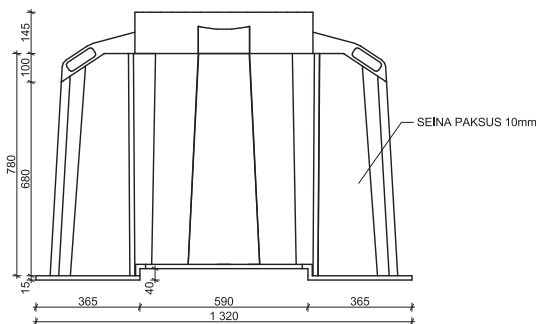
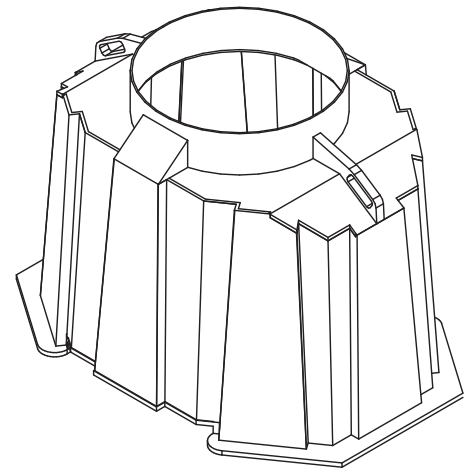
CABLE MANHOLE KKS2 WITH RAISED FLANGE



KKS2 is the modern connection manhole for communications routes is an innovative replacement product for outdated concrete manholes. Cable manhole KKS2 with raised flange, is intended for use only in green areas, because it can carry load up to 1,5t

■ The KKS2 with raised flange is:

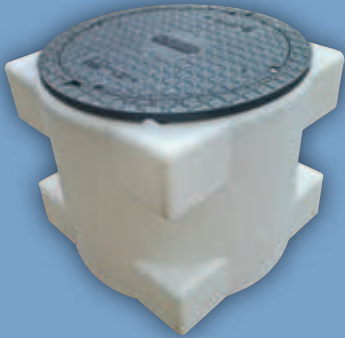
- made of:** polyethylene (PE) using rotational moulding technology
- areas of use:** cable and communications manholes, ground source heat manholes
- weight:** 30 kg + accessories
- accessories:** plastic manhole cover (200 kg, 600 kg, 1500 kg)
- useful information:** for 100 mm penetration sleeve use 108 mm milling cutter
for 50 mm penetration sleeve use 68 mm milling cutter



■ In addition see:

- technical drawing
- certificates

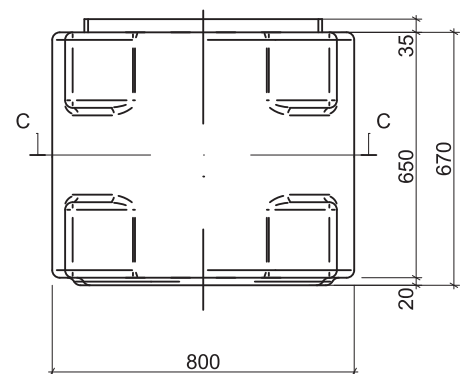
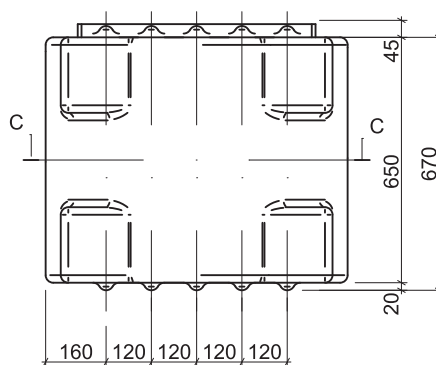
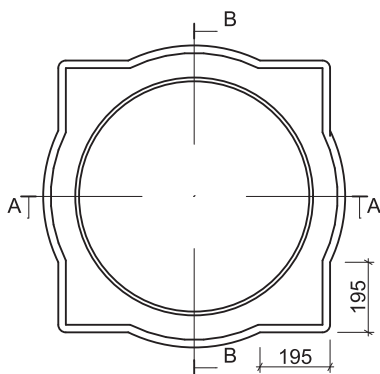
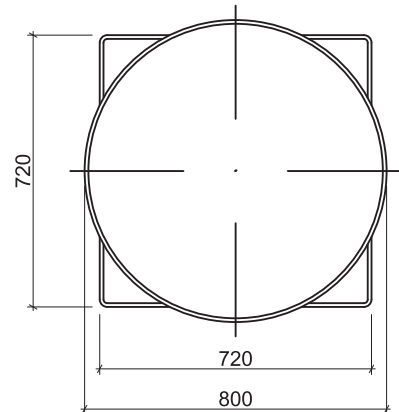
CABLE MANHOLE KKS1



KKS1, the modern connection manhole for communications routes is an innovative replacement product for outdated concrete manholes (smaller than KKS2).

■ The KKS1 cable manhole is:

- made of:** polyethylene (PE) using rotational moulding technology
- areas of use:** cable and communications manholes, ground source heat manholes
- weight:** 25 kg
- accessories:** cast iron and plastic covers, rubber penetration sleeves (2 pcs)
- useful information:** *for 100 mm penetration sleeve use 108 mm milling cutter*
for 50 mm penetration sleeve use 68 mm milling cutter



■ In addition see:

- technical drawing
- certificates

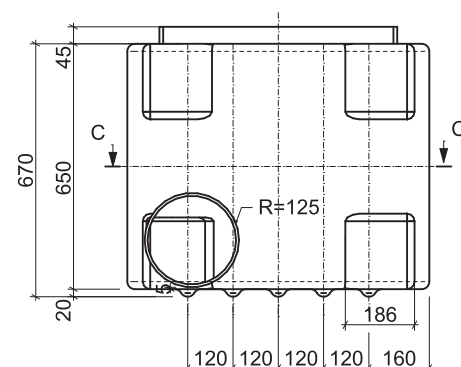
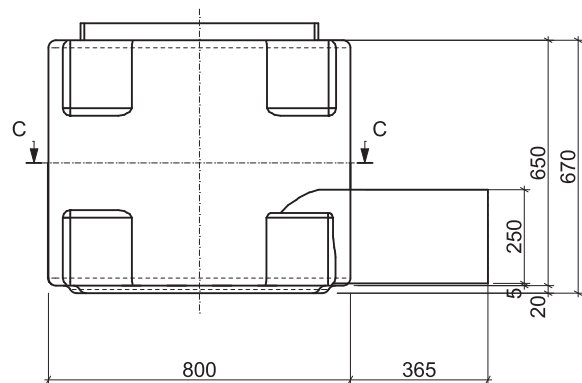
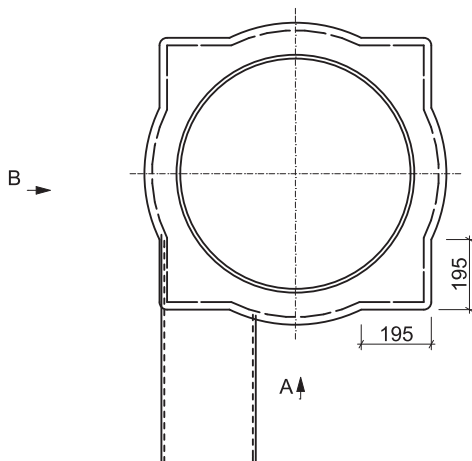
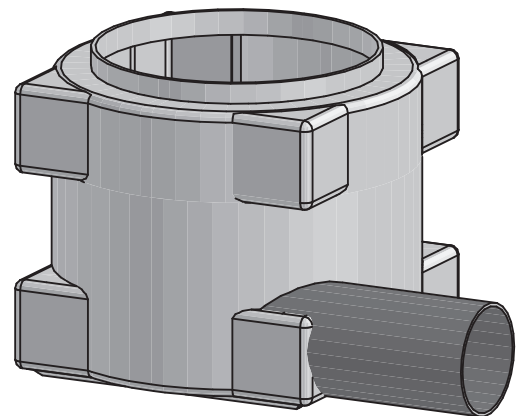
CABLE MANHOLE KKS1 WITH 1 INTERFACES FOR FOC COUPLING



KKS1, the modern connection manhole for communications routes is an innovative replacement product for outdated concrete manholes (smaller than KKS2).

■ The KKS1 cable manhole is:

- made of:** polyethylene (PE) using rotational moulding technology
- areas of use:** cable and communications manholes, ground source heat manholes
- weight:** 30 kg
- accessories:** cast iron and plastic covers, rubber penetration sleeves (2 pcs)
- useful information:** *for 100 mm penetration sleeve use 108 mm milling cutter*
for 50 mm penetration sleeve use 68 mm milling cutter



■ In addition see:

- technical drawing
- certificates

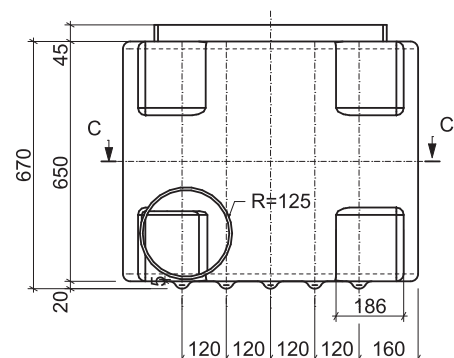
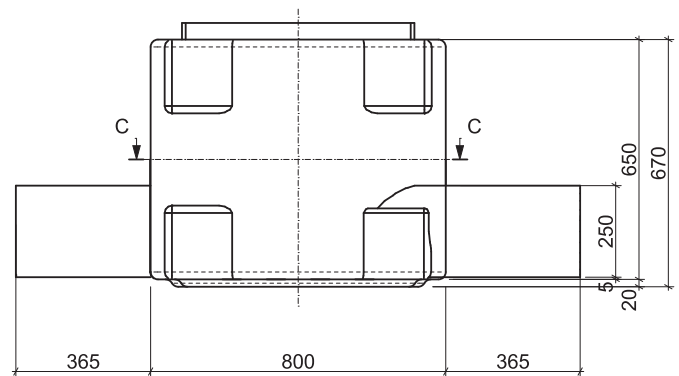
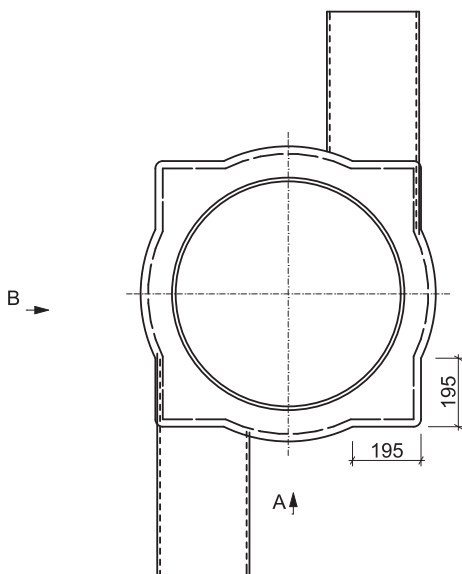
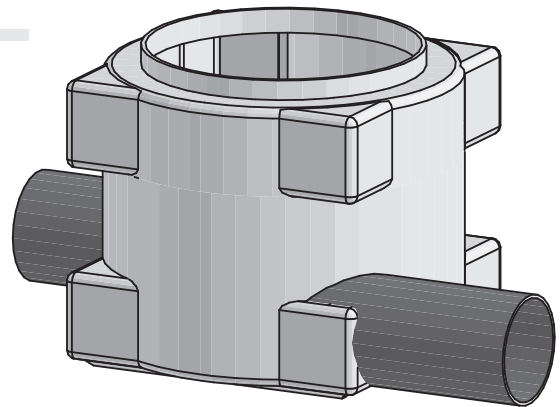
CABLE MANHOLE KKS1 WITH 2 INTERFACES FOR FOC COUPLING



KKS1, the modern connection manhole for communications routes is an innovative replacement product for outdated concrete manholes (smaller than KKS2).

■ The KKS1 cable manhole is:

- made of:** polyethylene (PE) using rotational moulding technology
- areas of use:** cable and communications manholes, ground source heat manholes
- weight:** 32 kg
- accessories:** cast iron and plastic covers, rubber penetration sleeves (2 pcs)
- useful information:** for **100 mm** penetration sleeve use **108 mm** milling cutter
for **50 mm** penetration sleeve use **68 mm** milling cutter



■ In addition see:

- technical drawing
- certificates

CONCRETE MANHOLE KKS2	PLASTIC MANHOLE KKS2
<p>List of components</p> <ol style="list-style-type: none"> 1 upper half 2 base slab 3 cover + bolts, nuts for fastening 4 spacer ring(s) 5 brackets 6 consoles + bolts, dowels 7 connectors 8 ready-mixed concrete 50 kg 	<p>List of components</p> <ol style="list-style-type: none"> 1 manhole as one complete unit 2 floating cover 3 connectors
<p>MANHOLE INSTALLATION REQUIRES</p> <ol style="list-style-type: none"> 1. transport to site: <ol style="list-style-type: none"> a) vehicle with 1 t load capacity (truck) b) lifting apparatus with 1 t lifting capacity (excavator, crane, lift) 2. unloading on site: <ol style="list-style-type: none"> a) lifting apparatus with 1t lifting capacity (excavator, crane, lift) 3. placing manhole into the trench requires a lifting apparatus with 1 t lifting capacity (excavator, crane) 4. assembly: <ol style="list-style-type: none"> a) lower half installation (excavator, crane) b) upper half installation (excavator, crane) c) installing of brackets & consoles (two men) d) breaking through, drilling of connection points (two men) e) cover installation with bolts (two men) f) pouring concrete (two men) 	<p>MANHOLE INSTALLATION REQUIRES</p> <ol style="list-style-type: none"> 1. transport to site: <ol style="list-style-type: none"> a) car with 100 kg load capacity (passenger car, small van) b) two men 2. unloading on site: <ol style="list-style-type: none"> a) two men 3. two men to install
<p>Summary: Installation required a lifting apparatus for approx 0.5 h and it took two men approx. 2 h</p>	<p>Summary: Installation took two men approx. 10 min</p>
<p style="text-align: center;">DISADVANTAGES</p> <ol style="list-style-type: none"> a) transport to site expensive and cumbersome b) requires a lifting apparatus for loading and unloading c) requires a lifting apparatus for installation d) requires assembly e) consists of several componentsf) not soil or water resistant f) not soil or water resistant g) crumbles and cracks with time h) no floating cover (existing floating covers very expensive) i) requires regular maintenance j) sensitive to the sun, water and the cold k) requires post-installation monitoring l) connection points can only be made on site 	<p style="text-align: center;">ADVANTAGES</p> <ol style="list-style-type: none"> a) transport to site cheaper b) no lifting apparatus required for loading and unloading c) no lifting apparatus required for installation d) no assembly required e) no separate components, comes as one complete unit f) completely soil and water resistant g) does not crumble or crack h) floating cover that adjusts to the surface i) does not require any future maintenance j) not sensitive to the sun, water or the cold k) guaranteed factory quality that doesn't require post-installation monitoring against water or soil damage (simplifies monitoring work) l) connection points can be ready-made at the factory
<p style="text-align: center;">NO ADVANTAGES</p>	<p style="text-align: center;">NO DISADVANTAGES</p>
	<p>Indirect savings</p> <ol style="list-style-type: none"> a) no need to buy (rent, lease) a truck to transport manholes in the future, as a passenger car is sufficient (small van or trailer) b) no need to send a lifting apparatus to load to and unload from a vehicle c) no need to call off trenching machinery from trenching in order to assist with manhole installation d) no need to spend man-hours on assembly e) o need to acquire, maintain or keep secure small tools such as generator, hammer drill, extension leads, mixing bath, trowels etc

COMMUNICATION MANHOLE COVER D400



Quality cast iron covers.

NB! In case of large quantity orders manhole covers can be made with your company logo, but covers can also be ordered without a company logo.

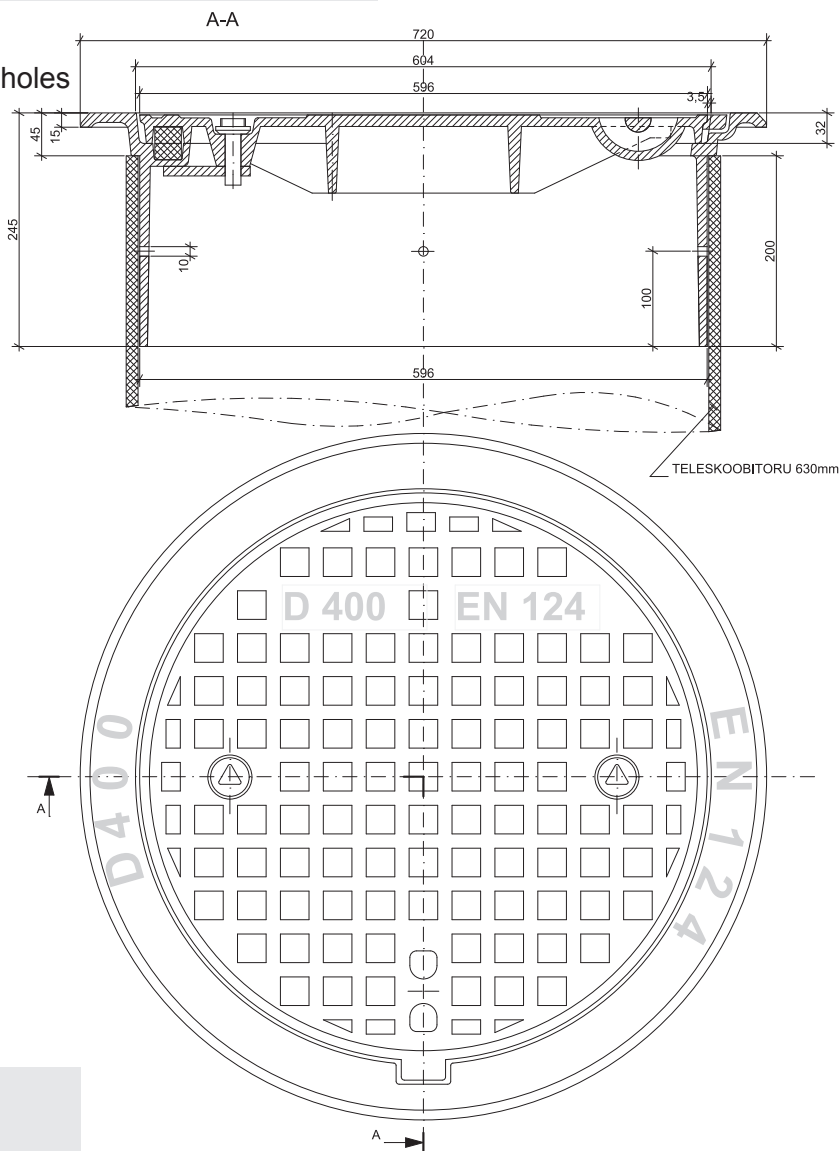
Communication manhole cover D400 is:

made of: cast iron (GGG-50)

areas of use: communication manholes

weight: 88 kg

required for opening: cover key



In addition see:

- technical drawing
- declaration of conformity

COMMUNICATION MANHOLE COVER B125

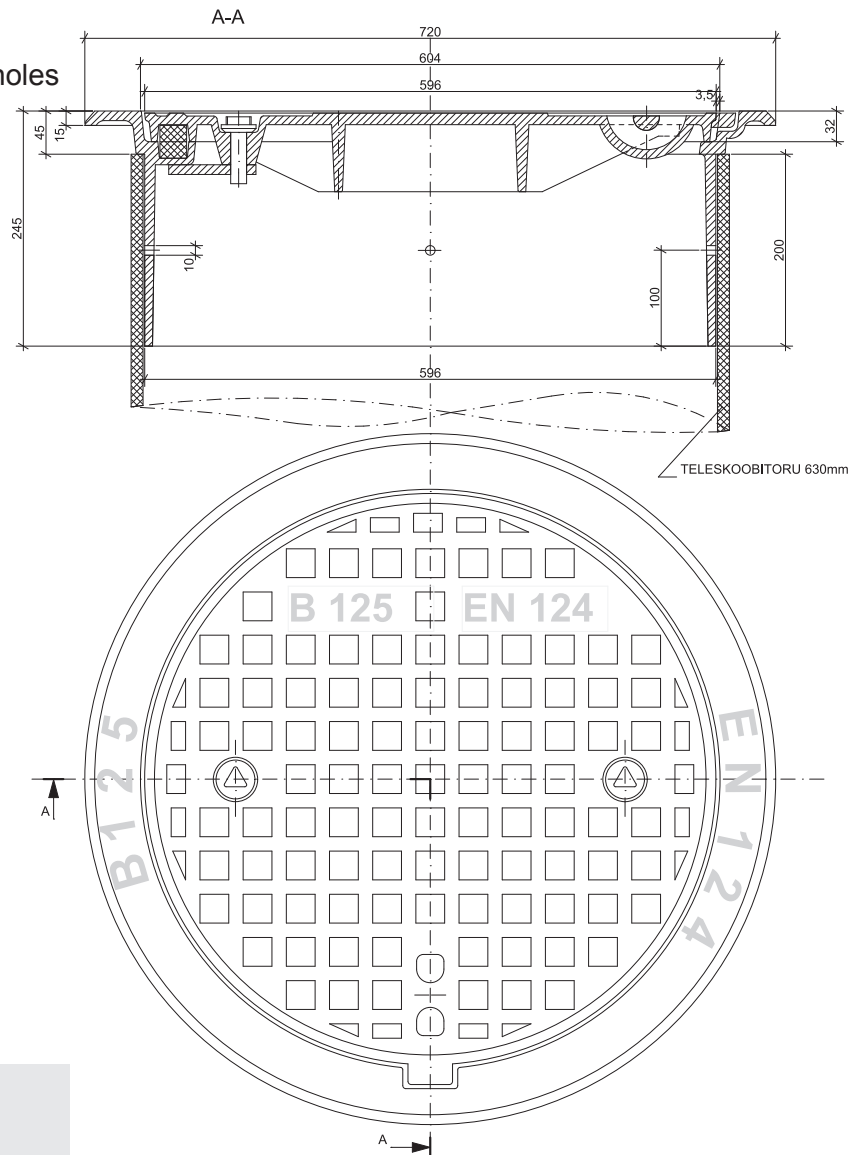


Quality cast iron covers.

NB! In case of large quantity orders manhole covers can be made with your company logo, but covers can also be ordered without a company logo.

Communication manhole cover B125 is:

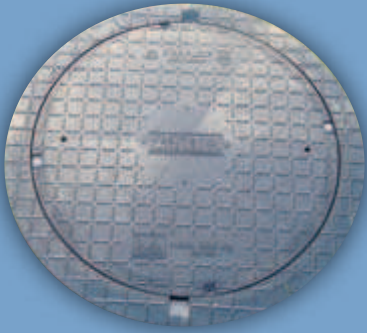
made of:	cast iron (GGG-50)
areas of use:	communication manholes
weight:	78 kg
required for opening:	cover key



In addition see:

- technical drawing
- declaration of conformity

PLASTIC MANHOLE COVERS 200 KG FOR GREEN AREAS



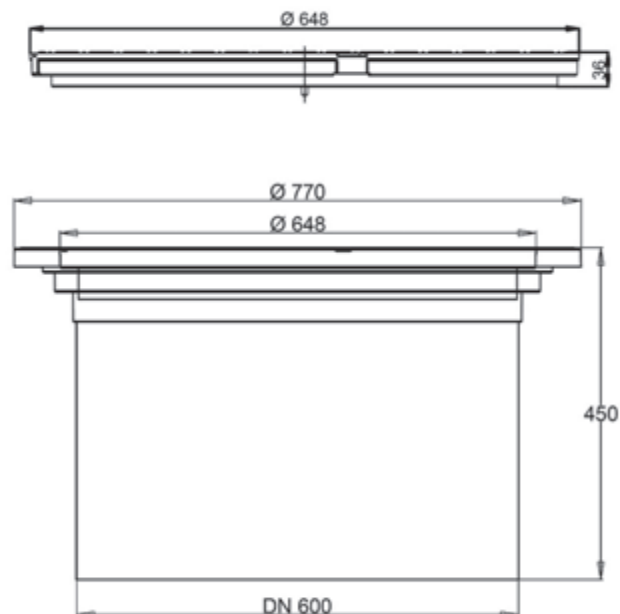
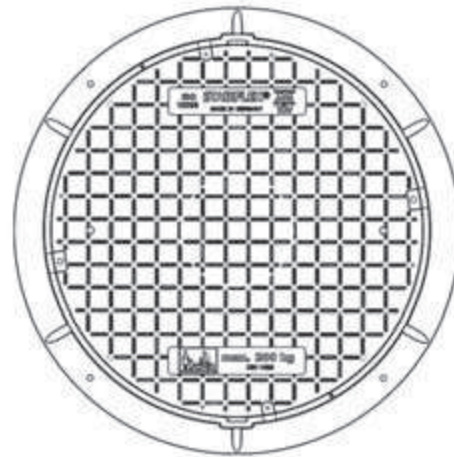
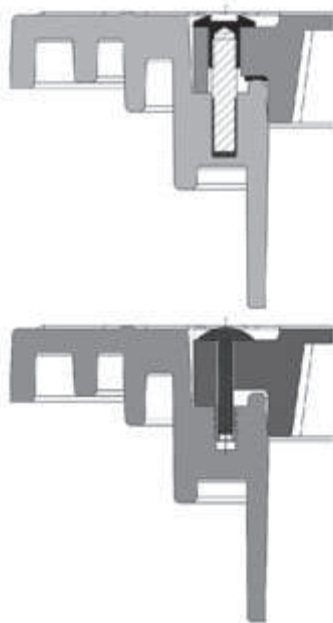
Lockable covers made of quality polyolefin (PO) plastic, suitable for manholes, pumping stations, etc located in green areas.

The covers have a slip-proof surface, locking system, and a soil and water-proof seal. The plastic covers can be ordered with or without a seal.

NB! In case of large quantity orders covers can be made with your company logo, but covers can also be ordered without a company logo.

Plastic cover 200 is:

made of:	polyolefin (PO)
diameter:	680 mm
areas of use:	green areas
weight:	5.5 kg
load bearing capacity:	200 kg
required for opening:	screwdrive (lockable)



In addition see:

- technical drawing
- declaration of conformity

PLASTIC MANHOLE COVERS 600 KG FOR GREEN AREAS



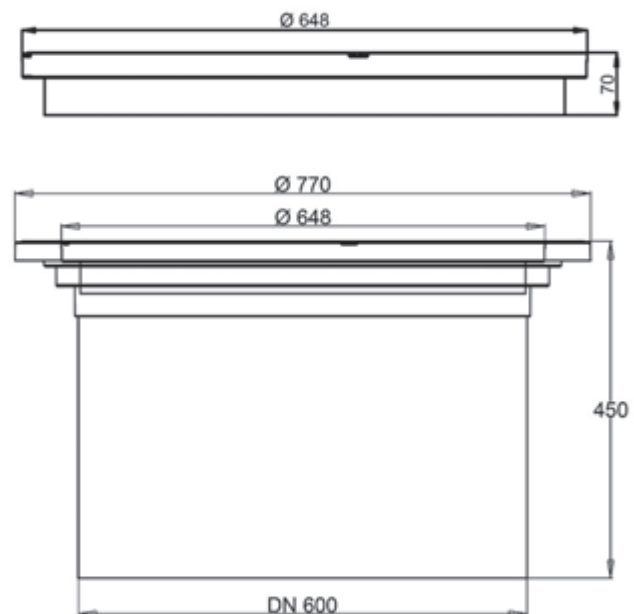
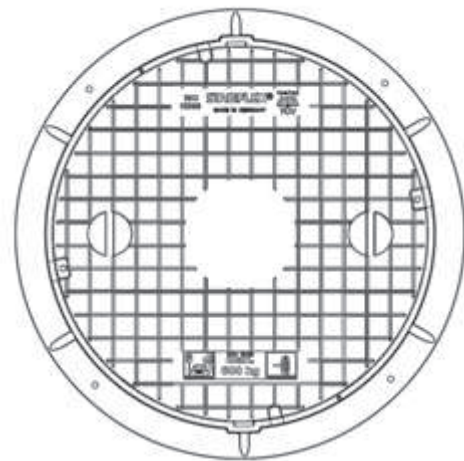
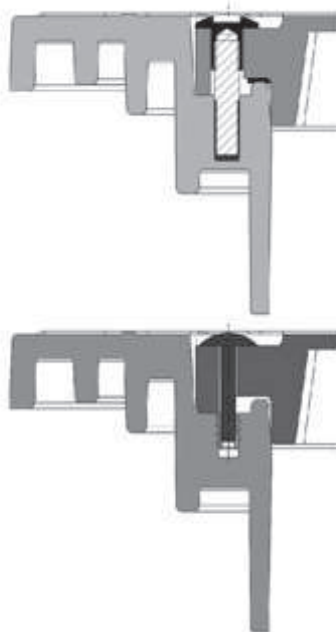
Lockable covers made of quality polyolefin (PO) plastic, suitable for manholes, pumping stations, etc located in green areas.

The covers have a slip-proof surface, locking system, and a soil and water-proof seal. The plastic covers can be ordered with or without a seal.

NB! In case of large quantity orders covers can be made with your company logo, but covers can also be ordered without a company logo.

Plastic cover 600 is:

made of:	polyolefin (PO)
diameter:	648 mm
areas of use:	green areas
weight:	7.5 kg
load bearing capacity:	600 kg
required for opening:	screwdrive (lockable)



In addition see:

- technical drawing
- declaration of conformity

PLASTIC MANHOLE COVERS 1500 KG FOR GREEN AREAS



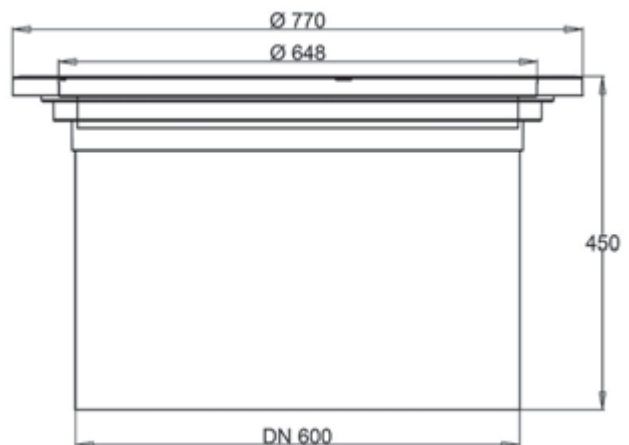
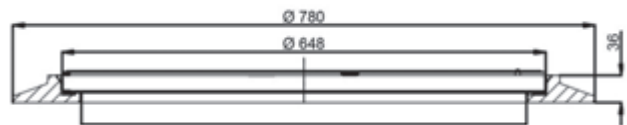
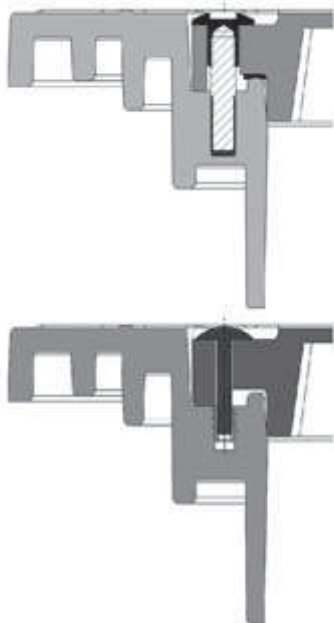
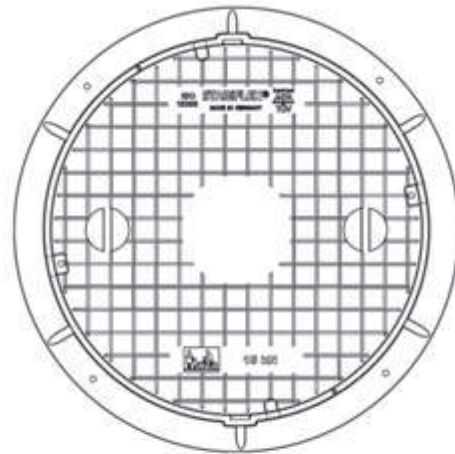
Lockable covers made of quality polyolefin (PO) plastic, suitable for manholes, pumping stations, etc located in green areas.

The covers have a slip-proof surface, locking system, and a soil and water-proof seal. The plastic covers can be ordered with or without a seal.

NB! In case of large quantity orders covers can be made with your company logo, but covers can also be ordered without a company logo.

■ Plastic cover 1500 kg is:

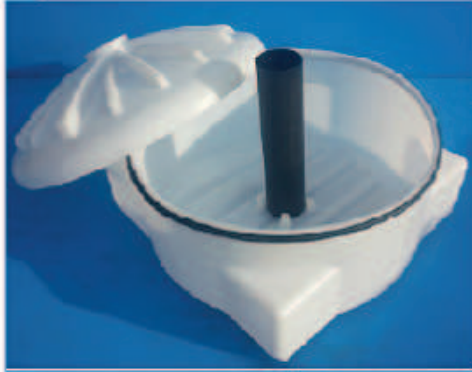
made of:	polyolefin (PO)
diameter:	648 mm
areas of use:	green areas
weight:	9.5 kg
load bearing capacity:	1500 kg
required for opening:	screwdrive (lockable)



■ In addition see:

- technical drawing
- certificate

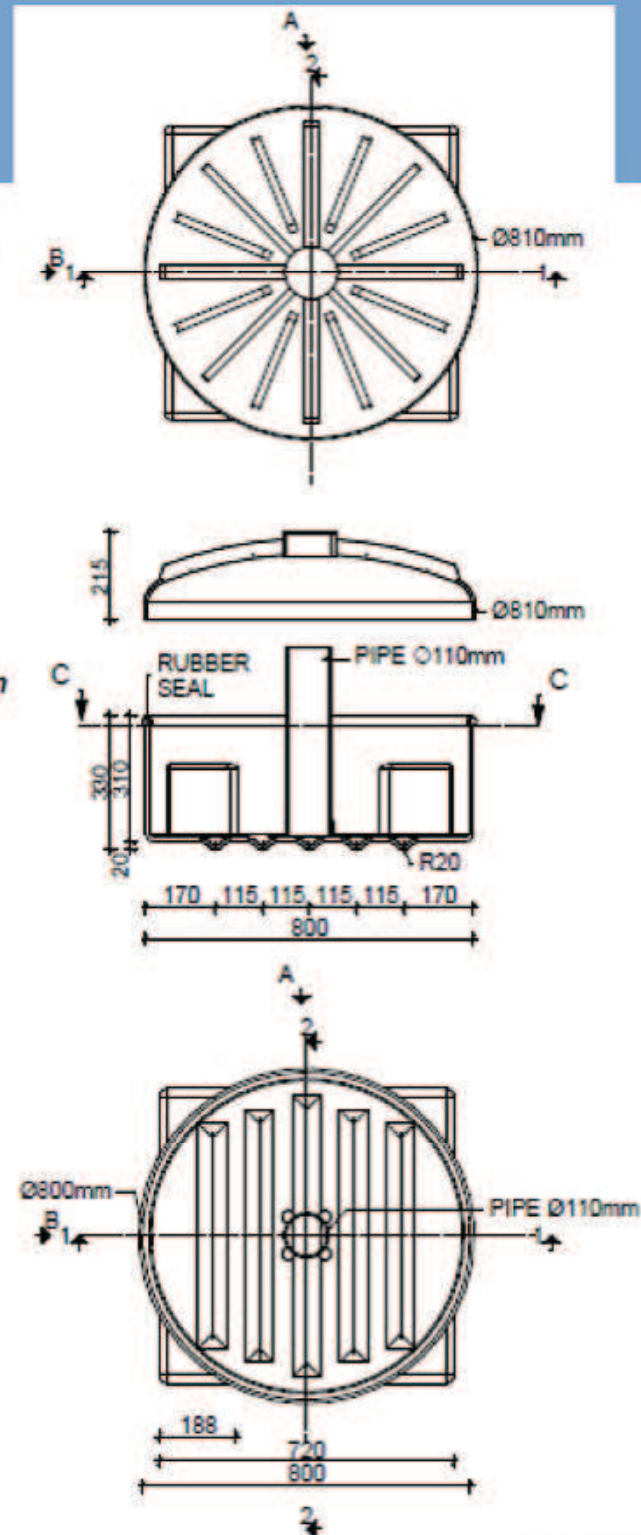
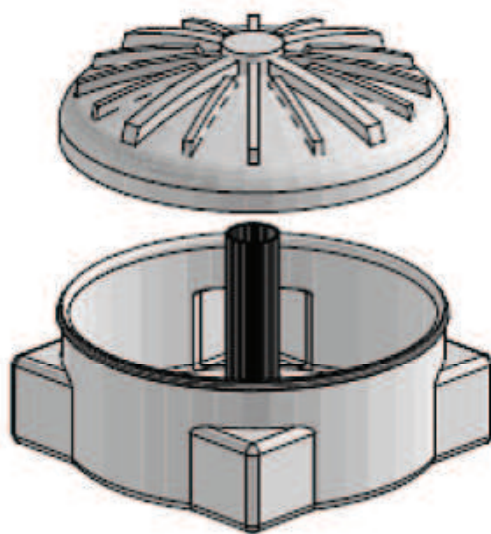
OPTICS ACCESS CHAMBER



This innovative connection manhole was created for fibre optic cables.

The optics access chamber is:

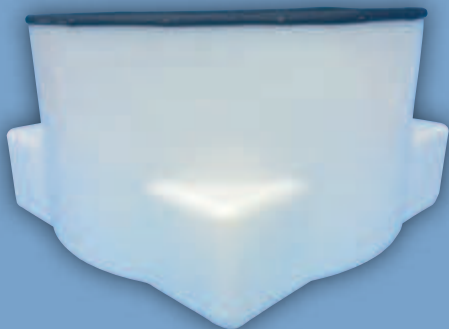
- made of:** polyethylene (PE) using rotational moulding technology
- areas of use:** optic cable continuation or reserve manhole
- weight:** 18 kg
- diameter:** 800 mm
- accessories:** components include rubber penetration sleeves (2 pcs)
- useful information:** for 32 mm penetration sleeve use 50 or 48 mm milling cutter;
for 50 mm penetration sleeve use 68 mm milling cutter



In addition see:

- technical drawing
- certificate

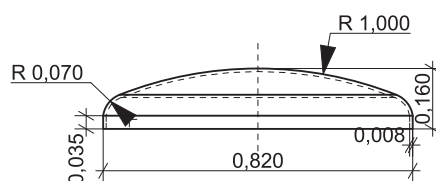
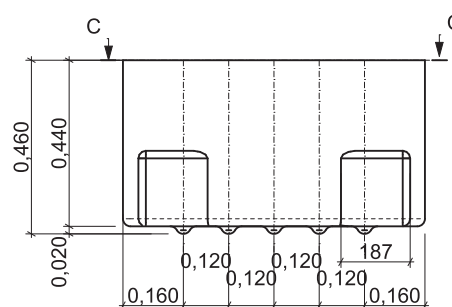
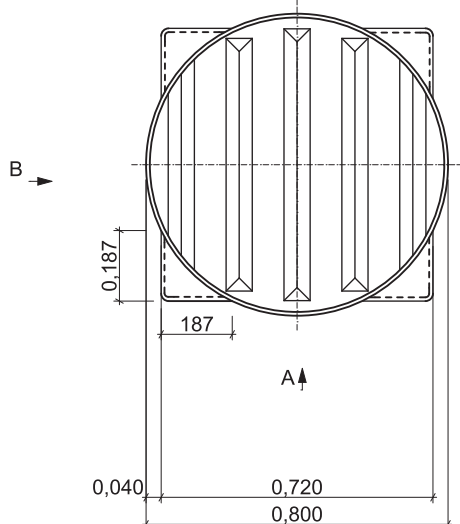
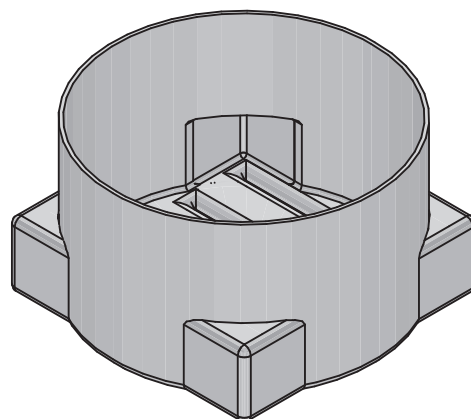
OPTICS ACCESS CHAMBER WITH RAISED FLANGE



This innovative connection manhole was created for fibre optic cables.

The optics access chamber is:

- made of:** polyethylene (PE) using rotational moulding technology
- areas of use:** optic cable continuation or reserve manhole
- weight:** 20 kg
- diameter:** 800 mm
- accessories:** components include rubber penetration sleeves (2 pcs)
- useful information:** for 32 mm penetration sleeve use 50 or 48 mm milling cutter;
for 50 mm penetration sleeve use 68 mm milling cutter



In addition see:

- technical drawing
- certificate

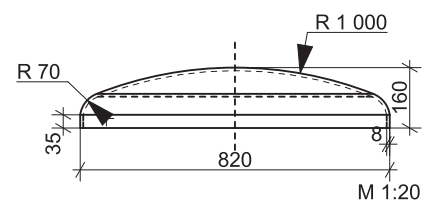
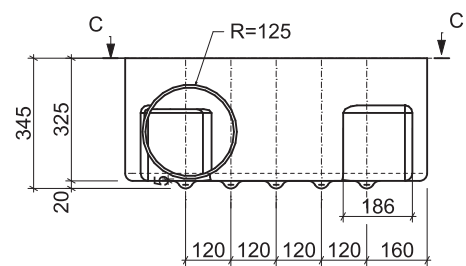
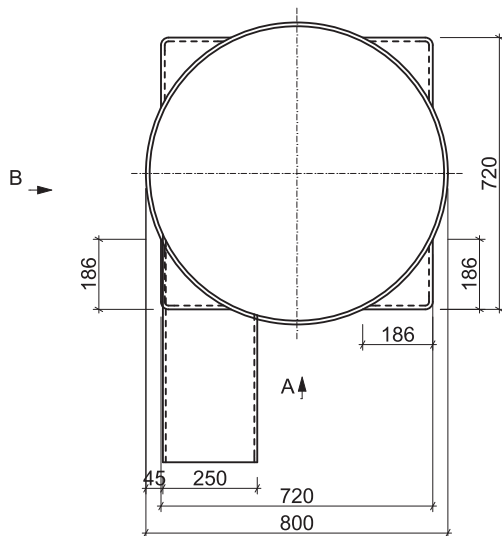
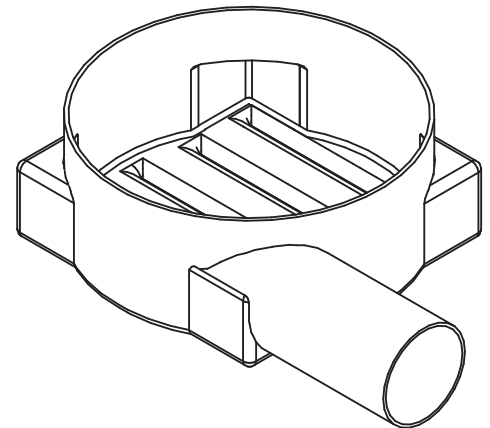
OPTICS ACCESS CHAMBER WITH 1 INTERFACES FOR FOC COUPLING



New transitional manhole for installation of fibre optic cable, with one interfaces for FOC coupling. For installation of continued or transmission cable and reserve.

The optics access chamber is:

- made of:** polyethylene (PE) using rotational moulding technology
- areas of use:** optic cable continuation or reserve manhole
- weight:** 21 kg
- diameter:** 800 mm
- accessories:** components include rubber penetration sleeves (2 pcs)
- useful information:** *for 32 mm penetration sleeve use 50 or 48 mm milling cutter;*
for 50 mm penetration sleeve use 68 mm milling cutter



In addition see:

- technical drawing
- certificates

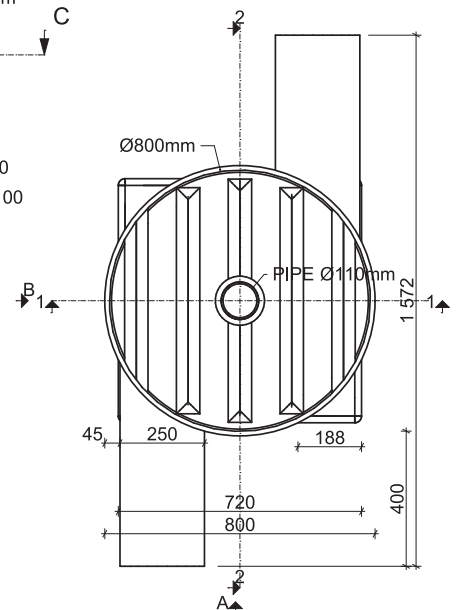
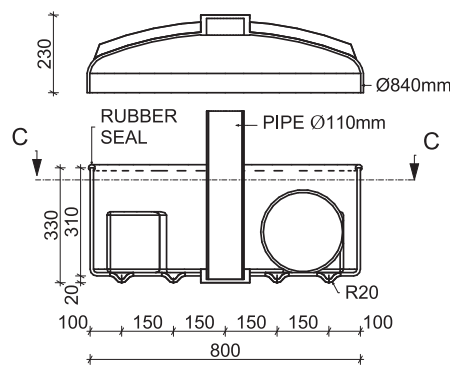
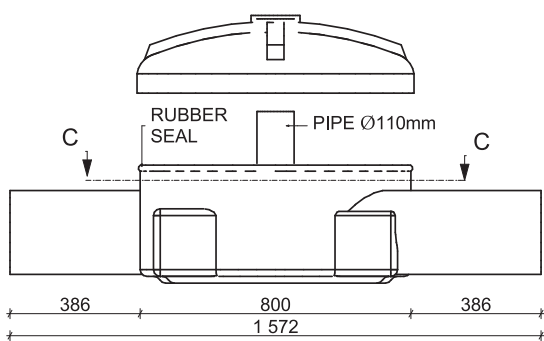
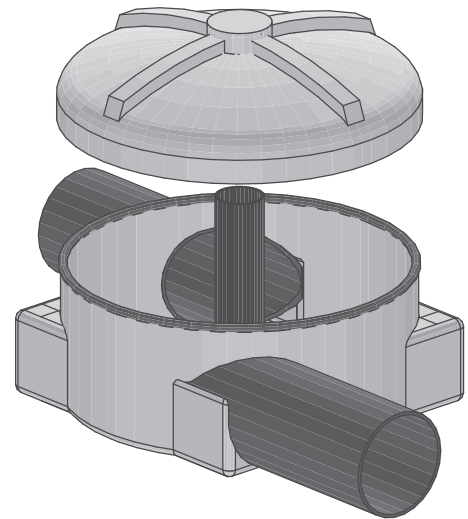
OPTICS ACCESS CHAMBER WITH 2 INTERFACES FOR FOC COUPLING



New transitional manhole for installation of fibre optic cable, with 2 interfaces for FOC coupling. For installation of continued or transmission cable and reserve.

The optics access chamber is:

- made of:** polyethylene (PE) using rotational moulding technology
- areas of use:** optic cable continuation or reserve manhole
- weight:** 22 kg
- diameter:** 800 mm
- accessories:** components include rubber penetration sleeves (2 pcs)
- useful information:** for 32 mm penetration sleeve use 50 or 48 mm milling cutter;
for 50 mm penetration sleeve use 68 mm milling cutter



In addition see:

- technical drawing
- certificate

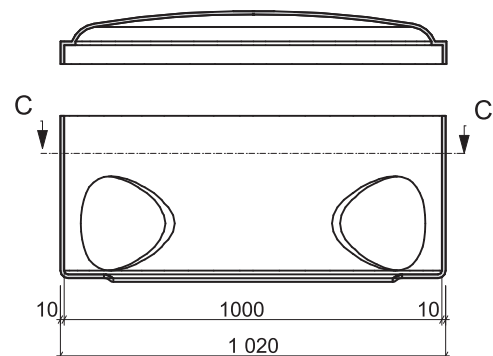
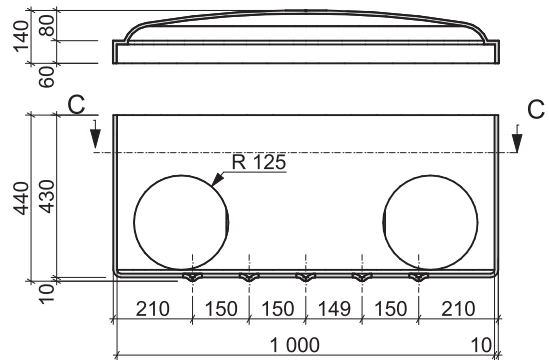
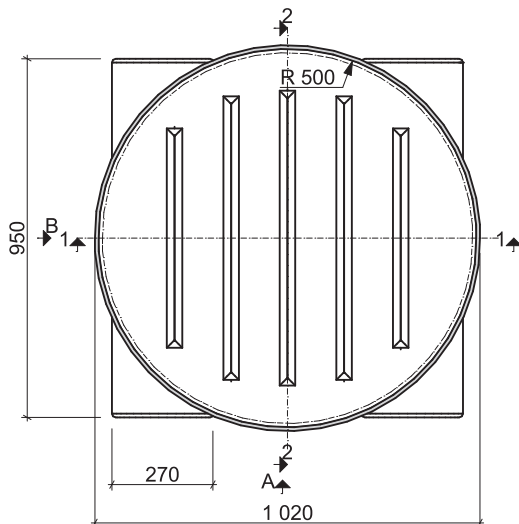
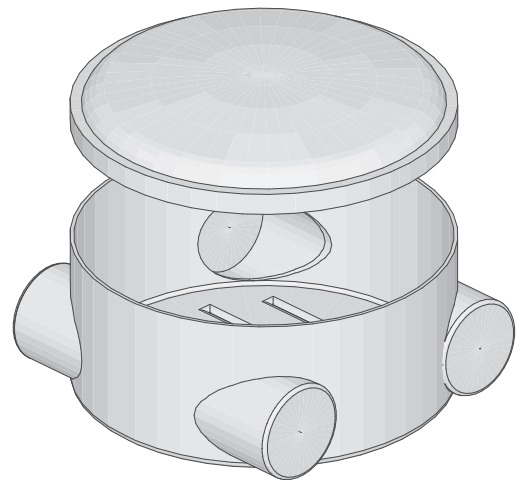
OPTICS ACCESS CHAMBER 1000 mm



This innovative connection manhole was created for fibre optic cables.

The optics access chamber is:

- made of:** polyethylene (PE) using rotational moulding technology
- areas of use:** optic cable continuation or reserve manhole
- weight:** 32.5 kg
- diameter:** 1000 mm
- accessories:** components include rubber penetration sleeves (2 pcs)
- useful information:** *for 32 mm penetration sleeve use 50 or 48 mm milling cutter;*
for 50 mm penetration sleeve use 68 mm milling cutter



In addition see:

- technical drawing
- certificates

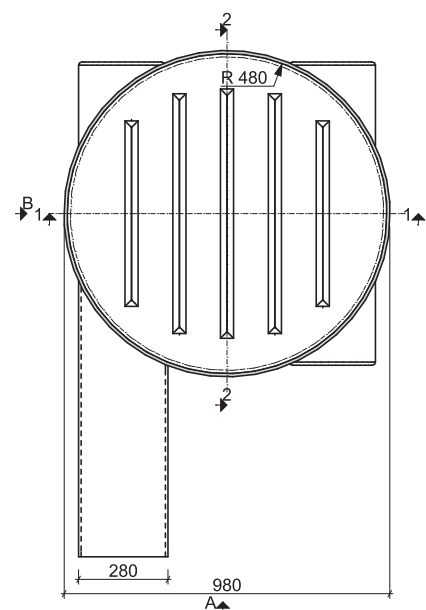
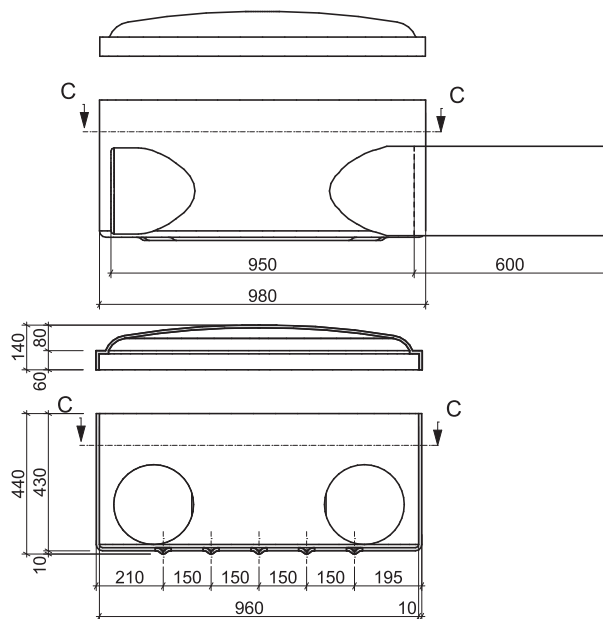
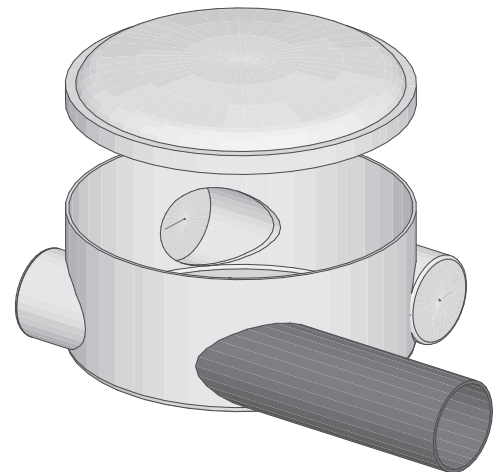
OPTICS ACCESS CHAMBER 1000 mm, WITH 1 INTERFACES FOR FOC COUPLING



New transitional manhole for installation of fibre optic cable, with one interfaces for FOC coupling. For installation of continued or transmission cable and reserve.

■ The optics access chamber is:

- made of:** polyethylene (PE) using rotational moulding technology
- areas of use:** optic cable continuation or reserve manhole
- weight:** 35,5 kg
- diameter:** 1000 mm
- accessories:** components include rubber penetration sleeves (2 pcs)
- useful information:** for 32 mm penetration sleeve use 50 or 48 mm milling cutter;
for 50 mm penetration sleeve use 68 mm milling cutter



■ In addition see:

- technical drawing
- certificate

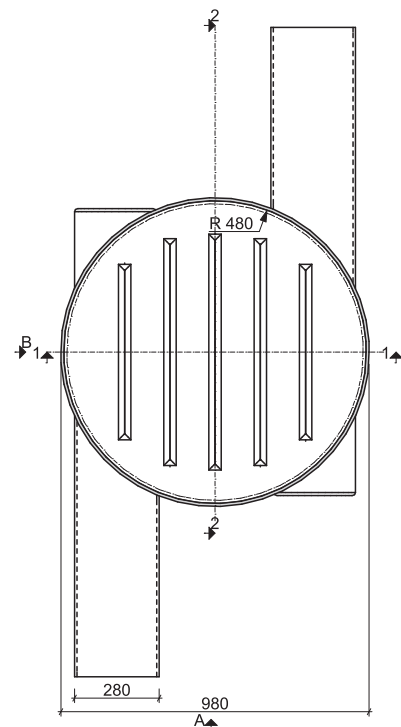
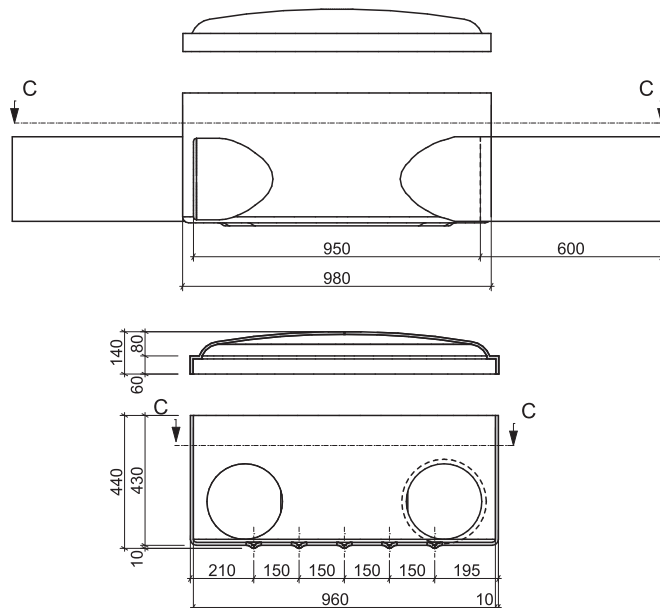
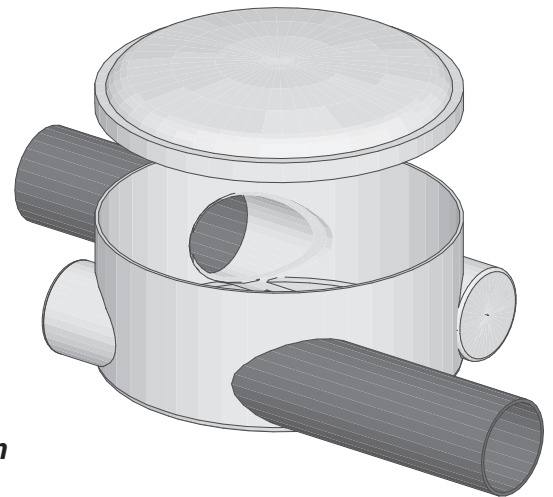
OPTICS ACCESS CHAMBER 1000 mm, WITH 2 INTERFACES FOR FOC COUPLING



New transitional manhole for installation of fibre optic cable, with 2 interfaces for FOC coupling. For installation of continued or transmission cable and reserve.

The optics access chamber is:

- made of:** polyethylene (PE) using rotational moulding technology
- areas of use:** optic cable continuation or reserve manhole
- weight:** 38,5 kg
- diameter:** 1000 mm
- accessories:** components include rubber penetration sleeves (2 pcs)
- useful information:** for 32 mm penetration sleeve use 50 or 48 mm milling cutter;
for 50 mm penetration sleeve use 68 mm milling cutter



In addition see:

- technical drawing
- certificates

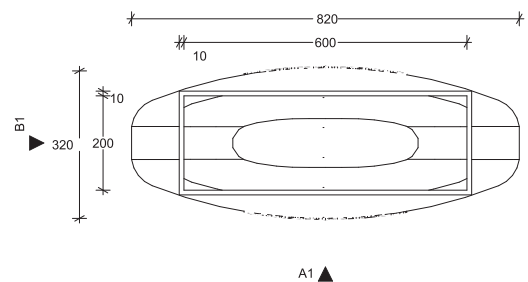
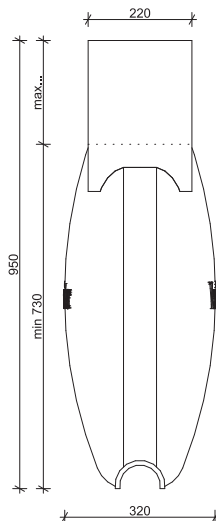
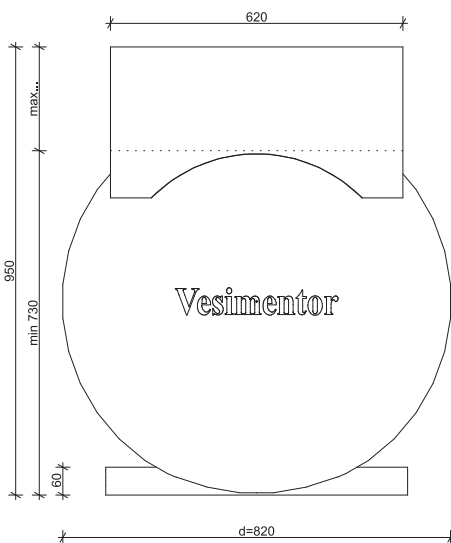
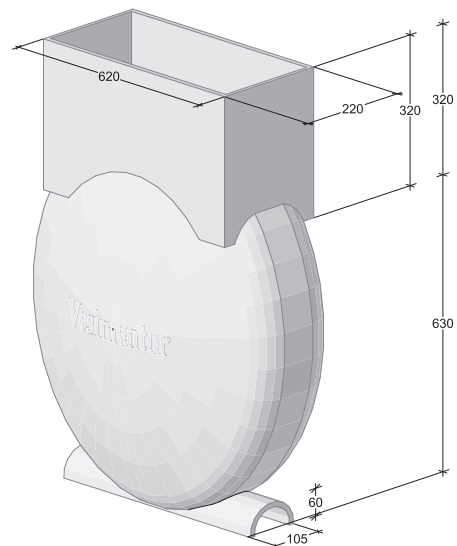
VERTICAL OPTIC WELL



Innovative vertical intermediate well for installation of fibre-optic and other cables. For installation of continuous or intermediate cable and reserve in the conditions, where horizontal installation is not possible or is complicated due to the lack of installation space.

The optics access chamber is:

made of:	polyethylene (PE) using rotational moulding technology
field of use:	continuous and reserve well for a cable
weight:	15,8 kg
diameter:	820 mm
height:	min 730 mm, max 150 mm
accessories:	plastic door, iron door



In addition see:

- technical drawing
- certificate

MAGNETIC COVER LIFTER



Magnet for lifting cast iron covers

Operating instructions:

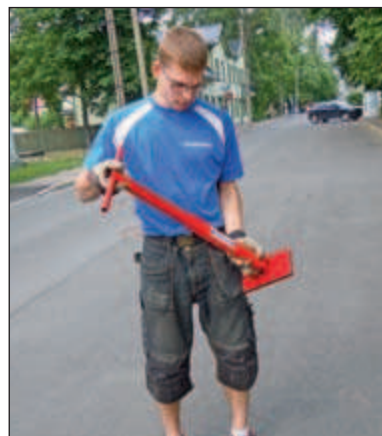
- Place the lifter on an iron cast cover that has been cleaned of sand, stones and other debris;
- Lift the cover lifter and pull the cover off the manhole;
- To remove the lifter from the cover, bend the lifter left or right;
- Return the telescopic handle to its original position by bending the handlebar down;
- Always clean the magnetic plate carefully after each use.

Useful information:

Weight: 5.4 kg

Care: Clean and oil the magnetic plate regularly

Avoid: **The following objects may stop working/functioning** if they come into contact with the magnetic lifter: mobile phones, credit and debit cards, mechanical watches/clocks, video tapes, pacemakers and hearing aids



INSTALLATION PHOTOS



INSTALLATION GUIDE FOR OLYETHYLENE CABLE MANHOLE KKS

PREPARATION OF THE PIT

- The pit has to be a minimum of 500 mm wider than the diameter of the manhole at any point.
- The bottom of the pit has to be covered with a 100 mm layer of compacted sand.
- **If the manhole is installed on a road with heavy vehicle traffic, at least a 500 mm telescope must be used. (The body of the manhole may otherwise deform!)**

MANHOLE INSTALLATION

- Lift the manhole onto the compacted bottom of the pit while making sure that the manhole is on dry soil and remains horizontal.
- To connect cable protection pipes with the manhole, mill a required size hole into the wall of the manhole and position a penetration seal. Then lubricate the seal and push the end of the pipe at least 50 mm through the seal into the manhole. We can add penetration seals (different sizes) to your ordered if need be. A standard kit includes 2 penetration seals.
- Once the cable manhole is in position, compact the soil around the manhole in 300 mm layers maximum. Make sure that the soil does not contain sharp particles (stones) exceeding 30 mm. The whole body of the manhole must be surrounded by soft soil (sand) and the pit must be filled all the way up to the cast iron cover to avoid later deformation of the manhole. The minimum thickness of sand around the body of the manhole must be 100 mm. If the manhole is backfilled only half way, there is a danger that the wall of the manhole may deform if a heavy vehicle passes close by. It is essential that compacting is carried out with a vibrating plate and not with heavy weight equipment. Heavy weight equipment can only be used for asphaltting. **All preparatory compacting of crushed stone must be carried out with a vibrating plate only!**
- In case of repair manholes the location of penetration holes is crucial. Any penetration made in a wrong place will weaken the structure of the manhole and is forbidden! At the manhole ordering stage you can provide the layout and heights of your planned penetrations so that the company could make you a suitably strong manhole. It is also important that the distance between the bolts used to fix the top of the manhole to its base does not exceed 100 mm. If you wish your manhole to be water and soil proof, the joint should also be sealed with a suitable mastic or silicone.
- The manhole does not require additional anchoring as its base plate is sufficiently wider than the manhole to stop it from rising up.

INSTALLATION OF TELESCOPIC CAST IRON COVER

- To install the telescopic cast iron cover, lubricate the seal attached to the manhole and push the telescope through the opening until the required height is reached. It is essential that a minimum of 50 mm and no more than 150 mm of the telescope tube is inserted through the seal.
- The telescopic cast iron cover with the diameter of 630 mm

has two fastening bolts and has a place for a security sensor. If a security system is going to be used, blocks will need to be added to the manhole penetration side of the telescope, which are then fastened to the telescope with bolts.

- **Asphalt can only be laid around D400 covers.** If you wish to lay asphalt around the covers in landscaped areas, the D400 covers must be installed for the time of asphalt works.

BACKFILLING THE PIT

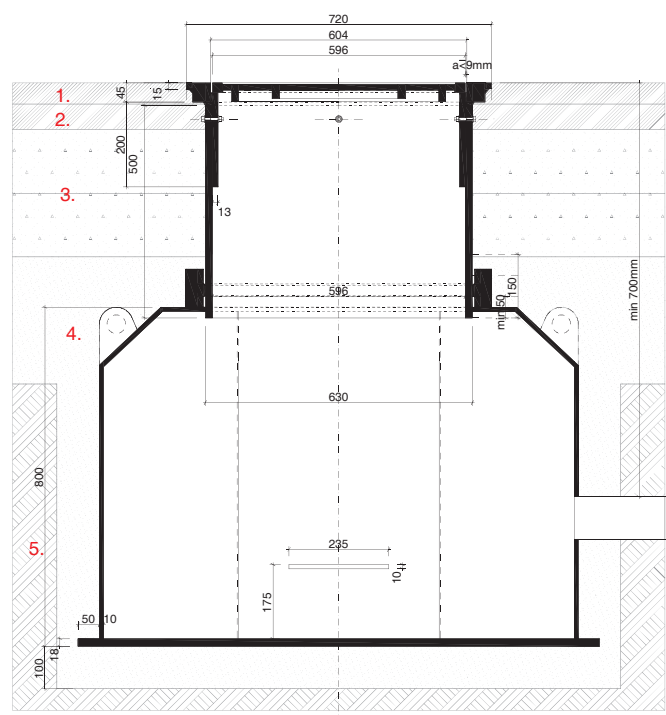
- To avoid deformation, we recommend to lift the telescopes to their maximum height when installing on site and to back-fill soil over the top of the manhole.

MANHOLE MAINTENANCE

- Due to the qualities of the material, the polyethylene cable manholes are maintenance free.
 1. **Asphalt concrete cover 50mm**
 2. **Asphalt concrete foundation 60mm**
 3. **Two-layer crushed stone cover (150mm fr.5-20+150mm fr.20-40)**
 4. **Sand base 300mm**
 5. **Existing subsoil**

NOTES:

1. **In case of installation of the well under a road with heavy traffic at least 50cm telescope must be used. (Deformation risk of well body!)**
2. **Ensure that min 5cm telescope pipe and not more than 15cm is passing the seal.**



ACCESSORIES

Telescope – D630 mm x 350 mm, D630 mm x 500 mm



Penetration sleeves: 32 mm, 40 mm, 50 mm, 63 mm, 75 mm, 100 mm, 110 mm



OUR OTHER PRODUCTS



Sewage and waste water manholes



Septic tanks



Rotation moulded septic tanks



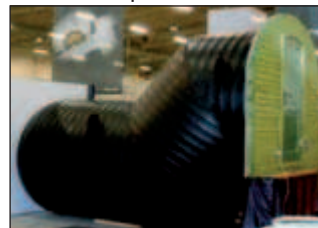
Pools



Quality cast iron covers



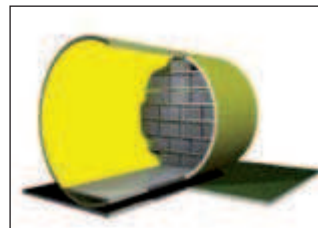
Semi-underground cellars



Communication chamber cover lock key



Bomb shelters



Cold & freezer rooms



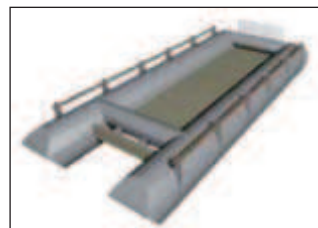
Weapon boxes



Various float solutions (with motor, fixing system, etc.)



Stork nest



Big game sledge / ATV sledge



Feeding rack



Camper van and small boat water and sewage tanks



Ground source heat distributors



Tanks



Chemistry and food industry basins

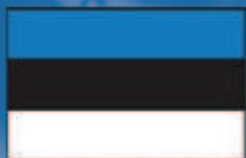


Water meter manholes

Vesimentor

PLASTIC PRODUCTS

www.vesimentor.ee



Mob: +372 568 73 773
info@vesimentor.ee



Tel: +498 00 723 4957
Mob: +372 56 975 777
Mob: +372 56 864 100
sales@vesimentor.ee



Tel: + 48 22 49 43 444
Mob +372 56800 112
sales@vesimentor.ee



Mob: + 372 5687 4999
sales@vesimentor.ee



Mob: +372 5687 4999
sales@vesimentor.ee

Fax +372 447 0072
E-mail: info@vesimentor.ee
Address: Mõrra 2b, 80010 Pärnu
Reg no: 10206582
VAT no: EE100081893



Mob:+370 698 73131
E-mail:www.komutacija.com
petras@zaliasis-namas.lt
Draugystės g.19,LT-51230 Kaunas



*Informacija
šviesos
greičiu.*

Komutacija
www.komutacija.com